

PNC	Type / Prefix / Maintenance Level	Model	Brand
953900695 953900735	01	PROMAC 1900-14 SCHUKO	McCULLOCH
953900696 953900722	01	PROMAC 1900-16 SCHUKO	McCULLOCH
953900697	01	PROMAC 1900-14 CH	McCULLOCH
953900698 953900720	01	ES 1900-14 SCHUKO	PARTNER
953900718	01	ES 1900-16 SCHUKO	PARTNER

Number of Pages 1 of 5

Factory: IIQ - Valmadrera	Product Group: OP 93
Publication Number: MIPL2006_V030000003	Petrol Portable
Publication Date: 19/01/06	Sub Group 9434

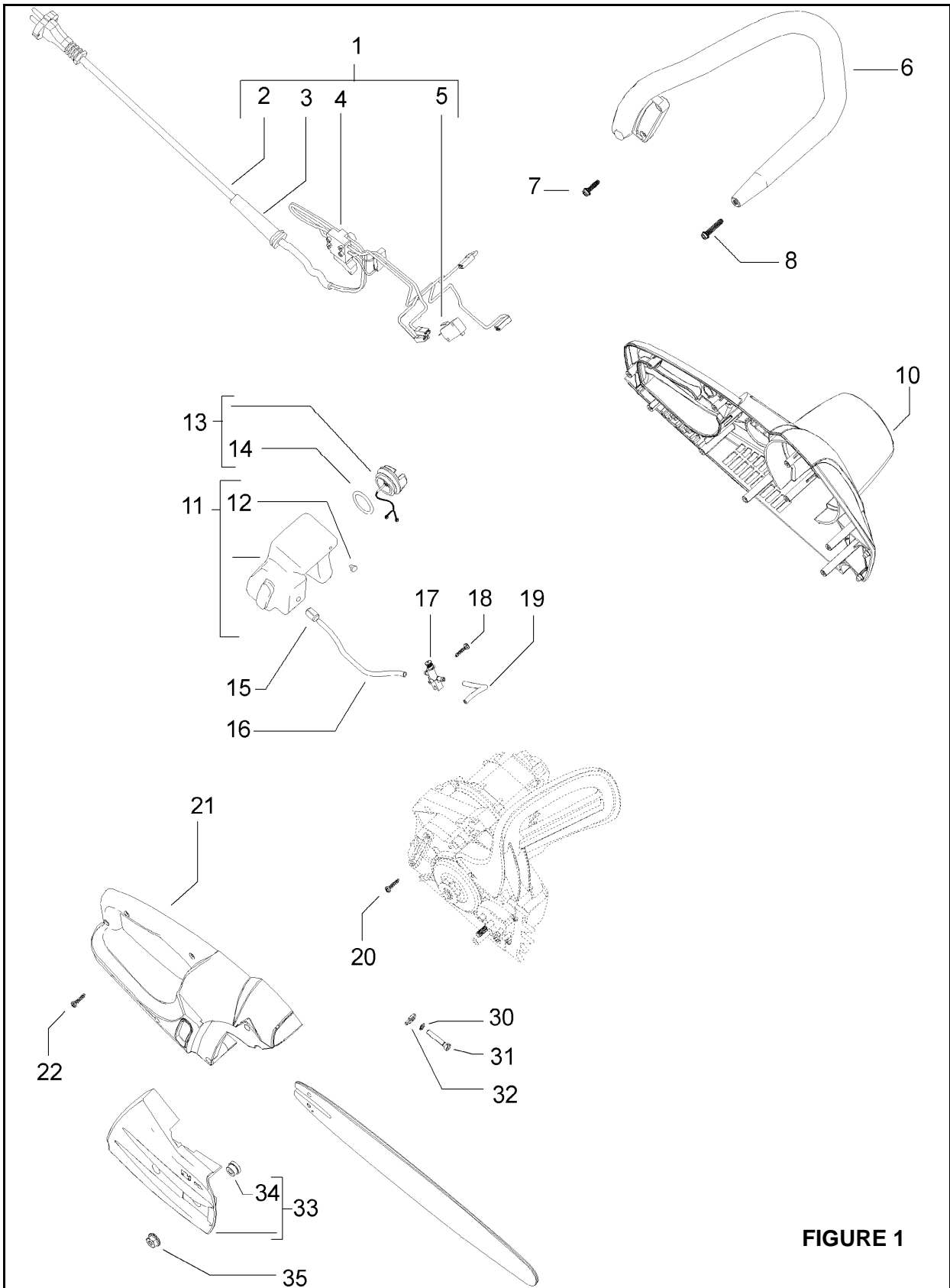


FIGURE 1

Item	P/N McC	P/N ELX	Qty	DESCRIPTION
FIGURE 1				
1	243470	538243470	1	cable assy - SCHUKO
	243582	538243582	1	cable assy - UK
	243580	538243580	1	cable assy - CH
2	• 243522	538243522	1	Plug assy - SCHUKO
	243583	538243583	1	Plug assy - UK
	243581	538243581	1	Plug assy - CH
3	241051	538241051	1	cable strain relief
B 4	• 243579	538243579	1	trigger
B 5	• 242687	538242687	1	switch
6	243474	538243474	1	front handle
7	503217520	503217520	2	screw 5x20, self threading
8	503218830	503218830	1	screw 6x30, self threading
10	243444	538243444	1	left crankcase
11	243472	538243472	1	oil tank assy
12	• 322199	538322199	1	vernay
B 13	• 243137	538243137	1	oil cap assy
14	• 235510	538235510	1	o-ring
B 15	225062	538225062	1	oil filter
16	243456	538243456	1	oil hose 30cm
B 17	243453	538243453	1	oil pump
18	240862	538240862	1	screw 4x18, self threading
19	5334	538005334	1	oil hose 13,5 cm
20	240862	538240862	3	screw 4x18, self threading
21	243445	538243445	1	right crankcase
22	240862	538240862	7	screw 4x18, self threading
B 30	235367	538235367	1	seeger
B 31	241167	538241167	1	chain tensioner screw
B 32	241037	538241037	1	chain tensioner nut
C 33	243491	538243491	1	chain cover assy
C 34	• 243494	538243494	1	spacer
A 35	242501	538242501	1	nut M6

Item	P/N McC	P/N ELX	Qty	DESCRIPTION
------	---------	---------	-----	-------------

A=ALTA ROTAZIONE
 B=MEDIA ROTAZIONE
 C=ALTA ROTAZIONE
 NUOVI CODICI

A=HIGH MOVING
 B=MEDIUM MOVING
 C=SLOW MOVING
 NEW P. NUMBERS

A=HAUTE DEMANDE
 B=MOYENNE DEMANDE
 C=BASSE DEMANDE
 NOUVELLES REFERENCES

A=GROBE NACHFRAGE
 B=MITTELMAESSIGE
 C=WENIGE NACHFRAGE
 NEU CODEX

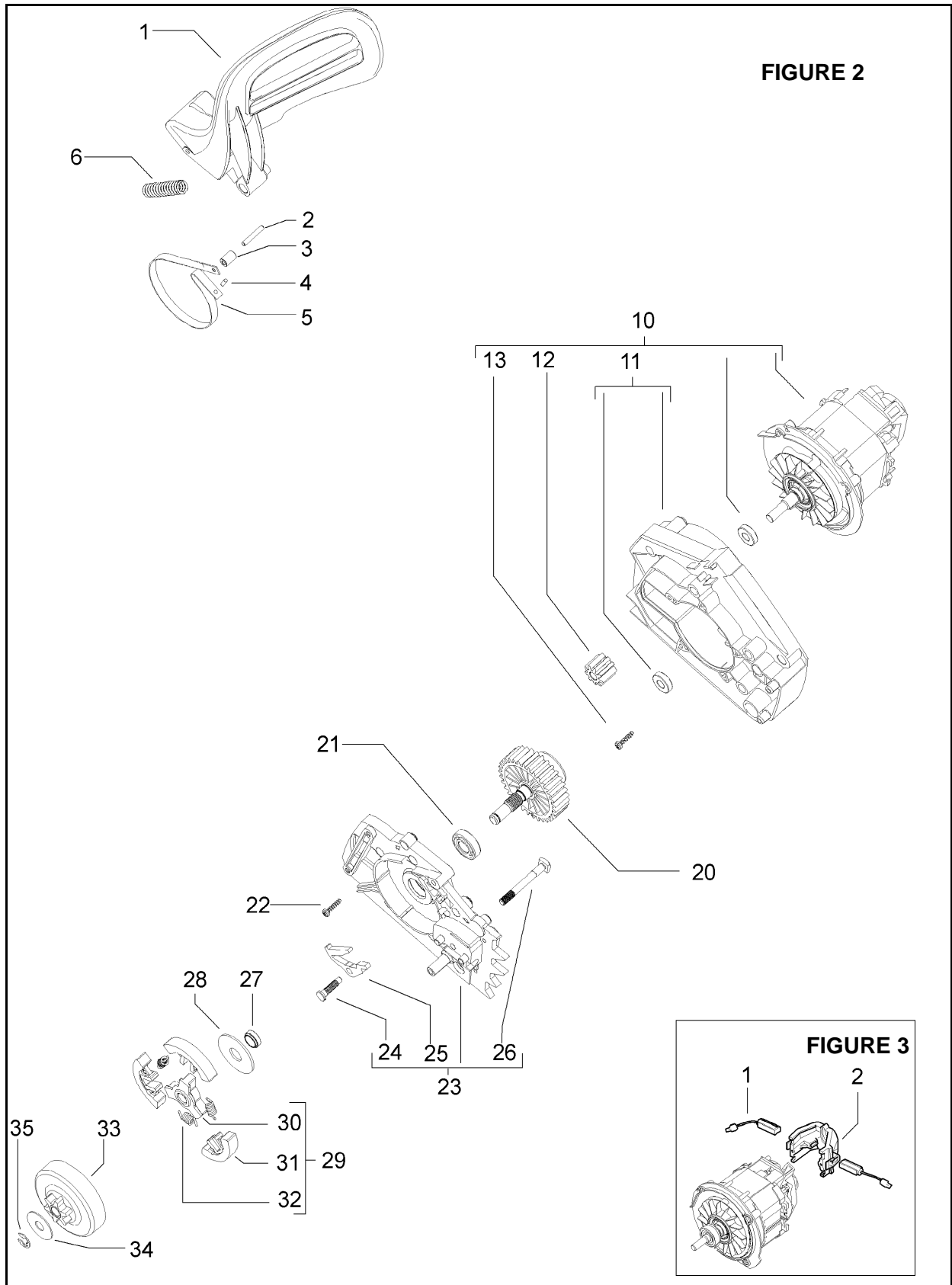


FIGURE 2

FIGURE 3

Item	P/N McC	P/N ELX	Qty	DESCRIPTION
FIGURE 2				
1	243460	538243460	1	brake lever
2	5367	538005367	1	brake pin
3	243462	538243462	1	brake spacer
4	229394	538229394	1	brake band plug
C 5	243461	538243461	1	brake band
6	235076	538235076	1	brake spring
C 10	243447	538243447	1	motor 1900W
11 •	243448	538243448	1	gear box
12 •	243450	538243450	1	gear
13 •	240862	538240862	3	screw 4x18
B 20	243451	538243451	1	pinion gear
21	235914	538235914	1	ball bearing
22	240862	538240862	7	screw 4x18, self threading
B 23	243457	538243457	1	gear box cover
24 •	235075	538235075	1	brake latch pivot
25 •	242367	538242367	1	brake latch
26 •	241035	538241035	1	bar bolt
27	243464	538243464	1	spacer
28	241346	538241346	1	dust shield
B 29	243577	538243577	1	clutch assy
30 •	242005	538242005	1	clutch rotor
31 •	227359	538227359	3	clutch shoe
32 •	243578	538243578	3	clutch spring
A 33	240260	538240260	1	clutch drum
34	235287	538235287	1	washer
35	229137	538229137	1	seeger

Item	P/N McC	P/N ELX	Qty	DESCRIPTION
FIGURE 3				
C 1	00248956	538048956	2	brushes
C 2	00248957	538048957	1	brushes holder

A=ALTA ROTAZIONE
B=MEDIA ROTAZIONE
C=ALTA ROTAZIONE
NUOVI CODICI

A=HIGH MOVING
B=MEDIUM MOVING
C=SLOW MOVING
NEW P. NUMBERS

A=HAUTE DEMANDE
B=MOYENNE DEMANDE
C=BASSE DEMANDE
NOUVELLES REFERENCES

A=GROBE NACHFRAGE
B=MITTELMAESSIGE
C=WENIGE NACHFRAGE
NEU CODEX